

# VARIABLE OUTRIGGER URW-295-3

MINI SPIDER CRANE



**UNIC**

CRANES EUROPE

[www.uniccranes.com](http://www.uniccranes.com)

# URW-295-3 (2.9t x 1.4m)

## VARIABLE OUTRIGGER SPIDER CRANE

**UNIC**  
CRANES EUROPE

### CRANE SPECIFICATIONS

<b>Crane capacity</b>	capacity:	2.9t x 1.4m
<b>Max working radius</b>	max:	8.41m
<b>Max lifting height</b>	approx:	8.8m (9.8m with manual fly jib, 10.47m with fixed hook)
<b>Rope length</b>	max:	14.12 m (4 fall), 29.24 m (2 fall), 59.47 m (1 fall)
<b>295-3 dimensions</b>	folded on tracks:	2690mm (2905mm diesel & electrical dual) (l) x 600mm (w) x 1375mm (h)
<b>295-CBE-3 dimensions <small>ECO</small></b>	folded on tracks:	2720mm (l) x 690mm (w) x 1525mm (h)
<b>295-WBE-3 dimensions <small>ECO</small></b>	folded on wheels:	2730mm (l) x 750mm (w) x 1560mm (h)
<b>295-3 weight</b>	unladen on tracks:	1850kg (1950kg with electric option, 1920kg with diesel option, 2090kg with diesel and electric dual option)
<b>295-CBE-3 weight <small>ECO</small></b>	unladen on tracks:	2350kg (2415kg with fly jib)
<b>295-WBE-3 weight <small>ECO</small></b>	unladen on wheels:	2425kg (2490kg with fly jib)
<b>Point loadings</b>	Due to the many variables involved, point loadings are only available on request	
<b>Hook speed</b>	approx:	10m/min (with 4 layers and 4 falls)
<b>Telescopic system</b>	boom length: telescoping speed: boom type:	2.53 - 8.65m 6.12m/20 seconds 5 section, hydraulically telescoping boom, hexagonal box construction
<b>Derricking angle/speed</b>	approx:	0 - 78° /11 seconds
<b>Slewing angle/speed</b>	approx:	360° (continuous) 1.5 min rpm
<b>Traction system</b>	drive: travel speed: gradeability: track ground length: track ground pressure: track width:	hydrostatic, stepless forward and reverse 0 - 2.3 km/h ± 20° (vertical) 10° (traverse) 1050mm 48kPa (0.49 kg/cm <sup>2</sup> ) 180mm
<b>Engine</b>	manufacturer: drive: maximum output: starting method: tank capacity:	Mitsubishi (Kubota diesel) petrol with LPG and electric options, diesel with electric option 9.6kW (13PS) / 2000min rpm electric and recoil start as standard 6 litres petrol, 9 litres diesel
<b>295-3 Electric motor</b>	power: voltage:	3.7kW 400v AC 50/60Hz
<b><small>ECO</small>-295-3 Power Source (on wheels and tracks)</b>	power: voltage:	31kW (AC motor) 48v DC rechargeable battery (charger 200/240v single phase 15A) & (charger 110v single phase 32A)
<b>Standard equipment</b>	computer controlled moment limiter (safe load indicator), radio remote control, overwinding alarm, computer controlled intelligent voice warning system, multi-function operation by radio remote control, intelligent throttle activation, automatic hook stop, overload warning lamps, height limitation, variable height limitation, slew limitation, variable slew limitation, variable outriggers	
<b>Optional equipment</b>	1 fall hook block, 2 fall hook block, LPG dual power, mains electric dual power (400v), diesel engine, low marking tracks, searcher hook small 300kg, searcher hook 700kg, manual fly jib 700kg with single part line, radio remote control with feedback display, data logging	



### HOOK OPTIONS



300kg Searcher Hook



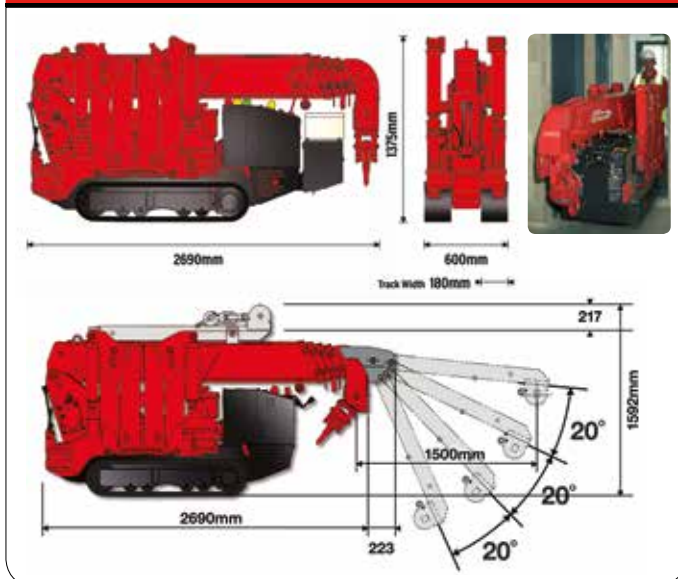
700kg Searcher Hook



700kg Fly Jib



### URW-295-3 DIMENSIONS



### ADDITIONAL FEATURES



Standard radio remote control

Optional radio remote control with digital feedback

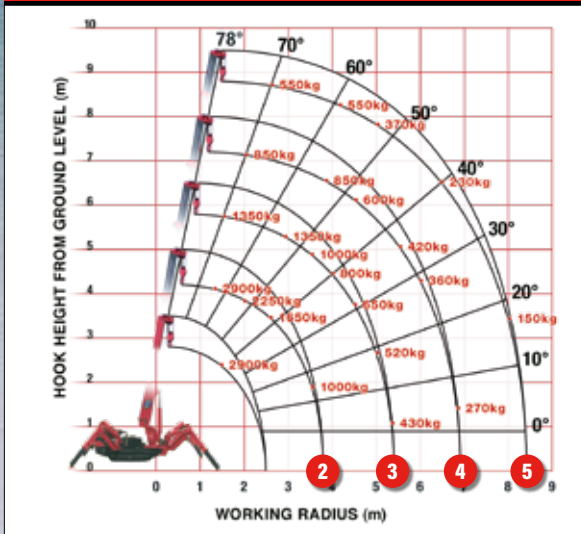
Full colour high resolution safe load indicator

# URW-295-3 (2.9t x 1.4m)

VARIABLE OUTRIGGER SPIDER CRANE



## RATED LOADS - OUTRIGGERS MAX EXTENSION



## RATED LOADS

### SECOND STAGE EXTENDED 2.53 - 4.075M BOOM LENGTH

Working radius	m	up to 1.0	1.4	1.5	1.8	2.0	2.5	3.0	3.5	3.835	
Outrigger	Max-extended	kg	2900	2900	2650	2250	2050	1650	1300	1000	900
	Min-extended	kg	2000	2000	2000	1450	1100	650	490	350	250

### THIRD STAGE EXTENDED 4.075 - 5.61M BOOM LENGTH

Working radius	m	up to 2.2	2.5	2.9	3.0	3.5	4.0	4.5	5.0	5.37	
Outrigger	Max-extended	kg	1350	1350	1350	1250	1000	800	650	520	430
	Min-extended	kg	800	650	530	500	380	280	220	160	120

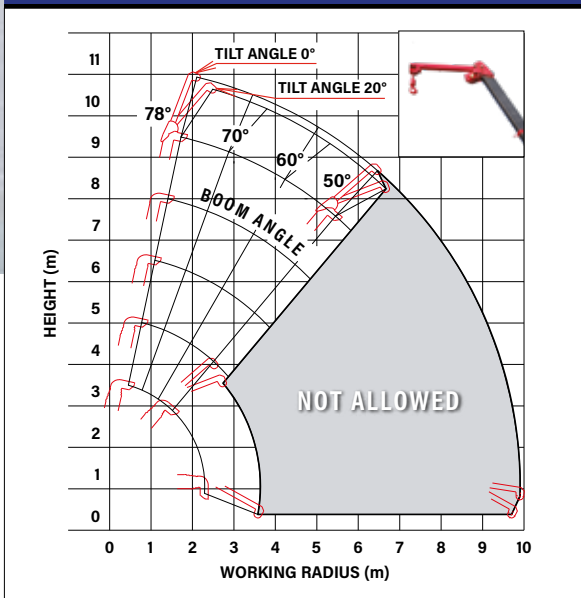
### FOURTH STAGE EXTENDED 5.61 - 7.13M BOOM LENGTH

Working radius	m	up to 3.4	3.8	4.0	4.5	5.0	5.5	6.0	6.5	6.89	
Outrigger	Max-extended	kg	850	850	750	600	500	420	360	320	270
	Min-extended	kg	420	340	300	250	190	140	100	80	60

### FIFTH STAGE EXTENDED 7.13 - 8.65M BOOM LENGTH

Working radius	m	up to 3.8	4.1	4.5	5.0	5.5	6.0	6.5	7.0	8.0	8.41
Outrigger	Max-extended	kg	550	550	450	370	310	270	230	200	130
	Min-extended	kg	350	290	250	200	160	130	100	70	30

## 700KG FLY JIB WORKING RANGE - 0° & 20°



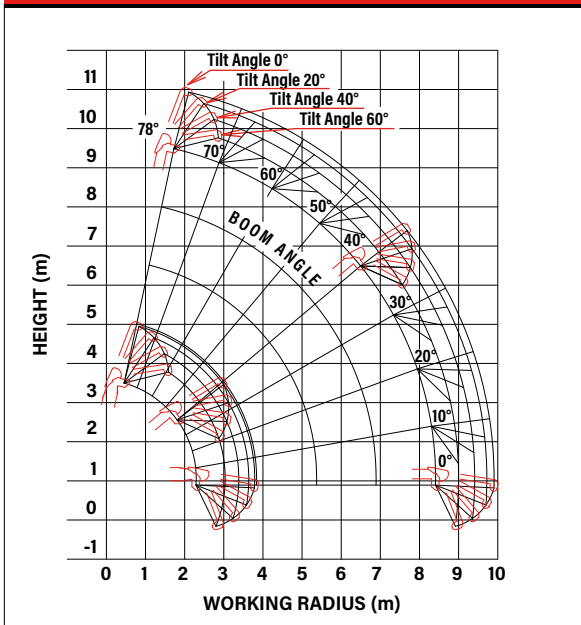
Note: The figures are based on a no-load condition and do not include the deflection of the boom, outriggers extended to maximum.

## 700KG FLY JIB NET RATED LOADS

Boom Angle (degrees)	Tilt Angle			
	0°	20°	40°	60°
78°	700 (400)	700 (400)	700 (400)	700 (400)
75°	700 (400)	700 (400)	700 (400)	700 (400)
70°	700 (400)	700 (400)	700 (400)	700 (400)
65°	500 (250)	500 (250)	500 (250)	500 (250)
60°	350 (200)	350 (200)	350 (200)	350 (200)
55°	250 (150)	250 (150)	NOT ALLOWED	
50°	200 (100)	200 (100)		
40°	NOT ALLOWED			
30°				
20°				

Note: The figures in Black are for the 1st-4th Boom Sections. The figures in Blue are for the 5th Boom Section ONLY.

## 700kg SEARCHER HOOK WORKING RANGE - OUTRIGGERS MAX EXTENSION



## 700KG SEARCHER HOOK - NET RATED LOADS 1<sup>ST</sup> - 4<sup>TH</sup> BOOM SECTIONS

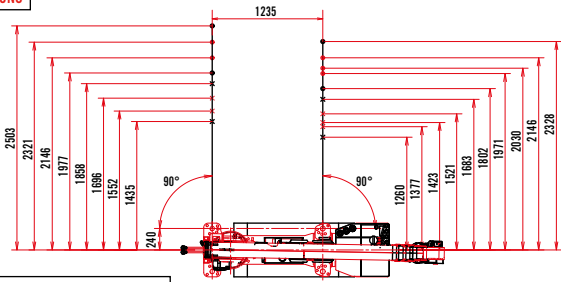
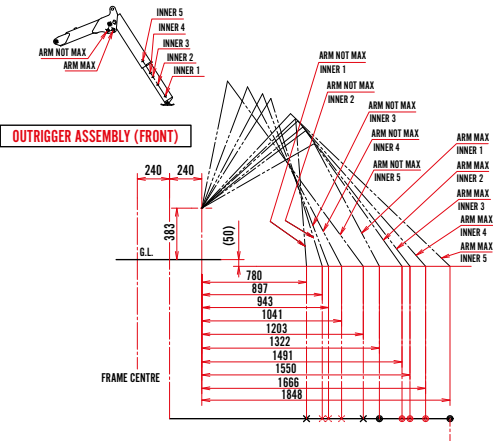
Working Radius (m)	Net Rated Loads (kg)	
	Outriggers Max	Outriggers Not Max
3.8	700	250
4.0	700	200
4.5	500	150
5.0	400	110
5.5	330	80
6.0	260	50
6.5	220	40
7.0	180	NOT ALLOWED
8.0	130	
8.39	100	

## 700KG SEARCHER HOOK - NET RATED LOADS 5<sup>TH</sup> BOOM SECTION ONLY

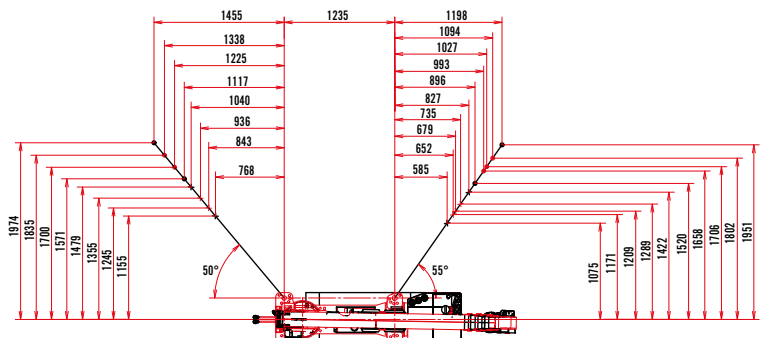
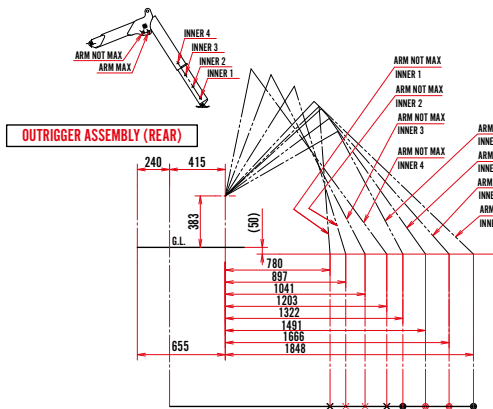
Working Radius (m)	Net Rated Loads (kg)	
	Outriggers Max	Outriggers Not Max
3.8	500	250
4.0	450	200
4.5	400	150
5.0	320	110
5.5	300	80
6.0	260	50
6.5	220	40
7.0	180	NOT ALLOWED
8.0	130	
9.0	100	
9.39	50	



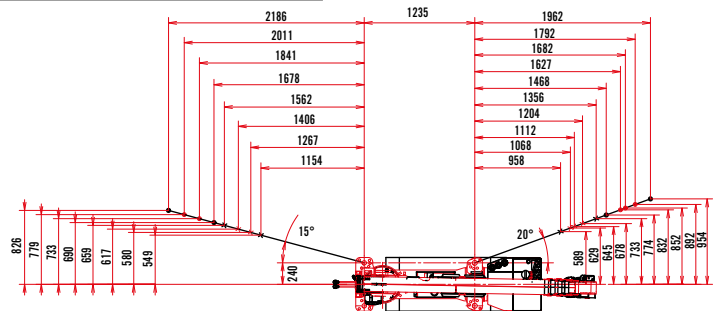
90° OUTRIGGER DIMENSIONS



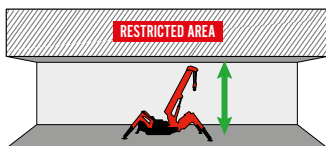
50° (FRONT) & 55° (REAR) OUTRIGGER DIMENSIONS



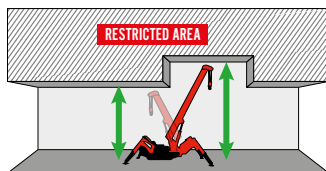
15° (FRONT) & 20° (REAR) OUTRIGGER DIMENSIONS



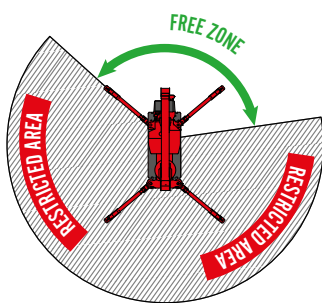
Height Limitation



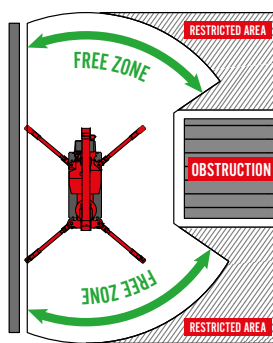
Variable Height Limitation



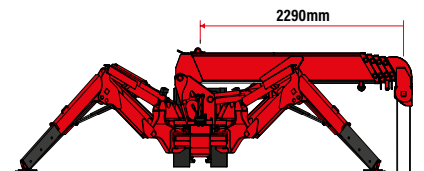
Slew Limitation



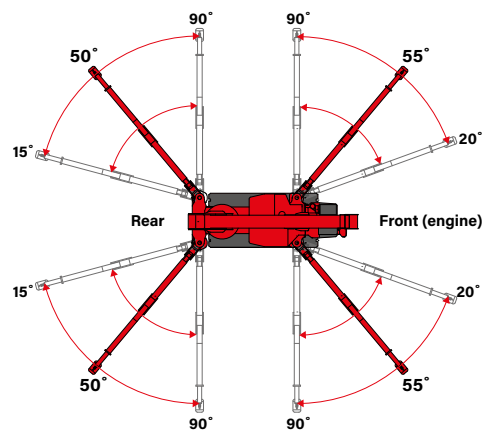
Variable Slew Limitation



MAXIMUM REACH BELOW GROUND



VARIABLE OUTRIGGER POSITIONS



- 4 Fall 14.32m 2900kg max
- 2 Fall 29.24m 1600kg max
- 1 Fall 59.47m 800kg max